

Clippard



CLIPPARD PROPORTIONAL VALVES

SPECIFICATIONS

- **Medium:**
Clean, dry air or inert gases
- **Power consumption:**
1.9 watts @ 73° F 2.3 watts max.
- **Temp range:**
32 to 120° F
- **Ports:**
#10-32 Female (in-line)
#10-32 Male stud (manifold)
- **Seal material**
Nitrile standard
- **Max Hysteresis:**
10% of full current

FEATURES

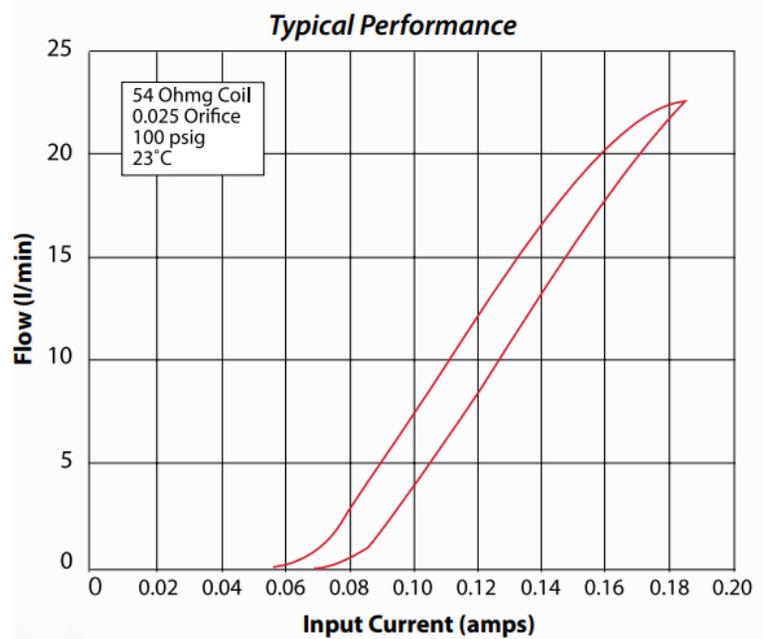
- Flow proportional to input current
- Fast response and long life
- Small, compact design
- Single moving part for low friction and wear
- Five orifice sizes
- Three connection styles
- Two mounting types

2-WAY, 3-WAY & 4-WAY VALVES

The EVP series proportional control valves combine the features of the existing EV series valve—long life, low power, and Clippard’s reputation for high quality components—with the additional capability for proportional control. The EVP series valve provides air or gas flow control and varies the output flow based on the current input to the solenoid.

APPLICATIONS

- Analytical Instruments
- Blood pressure monitoring
- Precise pressure control
- Patient simulators
- Gas controllers
- Mass flow control
- Gas chromatography
- Respirators/ventilator



Clippard

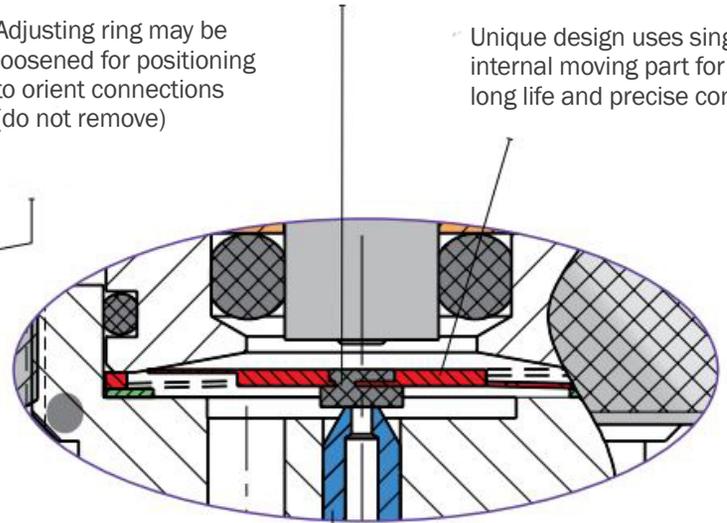
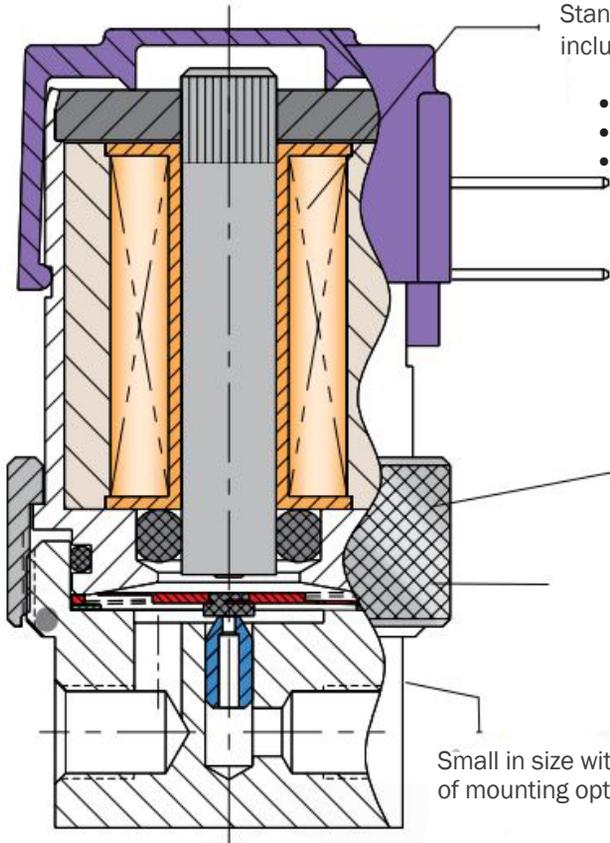
Low power coil uses only 1.9 watts at the rated voltage.
Standard voltage ranges include:

- 0 to 5 VDC
- 0 to 10 VDC
- 0 to 20 VDC

Seal material: Nitrile, FKM, EPDM, and others available

Adjusting ring may be loosened for positioning to orient connections (do not remove)

Unique design uses single internal moving part for long life and precise control



Small in size with a variety of mounting options

Standard orifice are:
0.009", 0.013", 0.025", 0.040" and 0.060"