



CLIPPARD AIR PILOT VALVES ACTUATORS

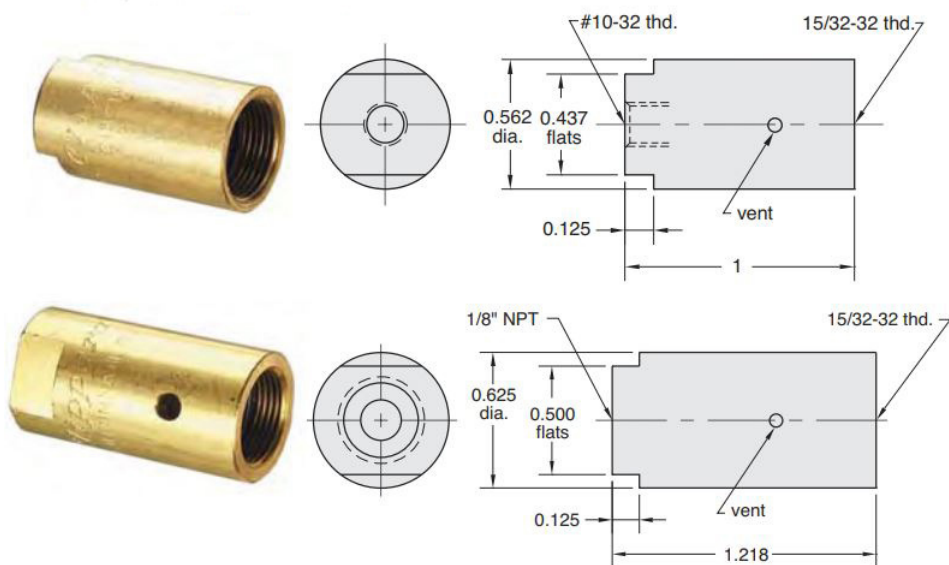
Clippard Air Pilot Valve Actuators thread onto the tops of Clippard miniature 2-way, 3-way, and 4-way valves or ES-1 electric switches to provide fast pilot actuation from a pneumatic signal.

They permit wide circuit flexibility and minimize cost, hazards and complexity by allowing many control functions to be accomplished pneumatically.

Single Acting Air Pilot Actuators

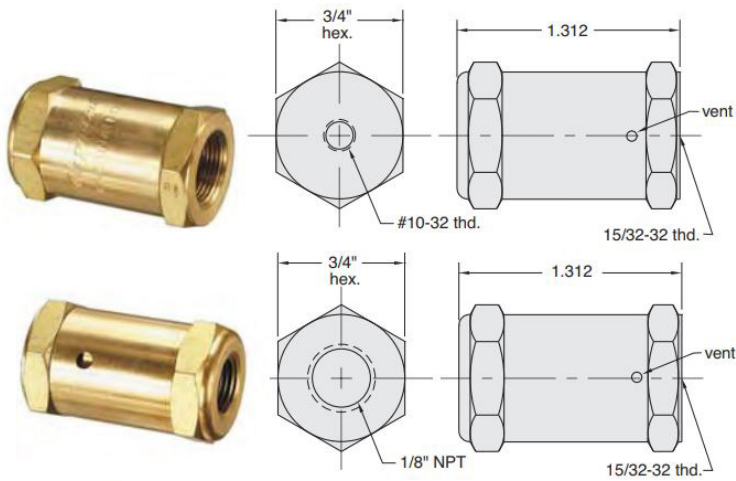
FEATURES AND SPECIFICATIONS

- **Versatile**
- **Allow many control functions to be accomplished pneumatically**
- **Construction:** Brass body, stainless steel springs, Nitrile seals, Delrin® piston
- **Mounting:** #15/32-32 female thread to mount to Clippard miniature valves and components used with 15018-2 bracket



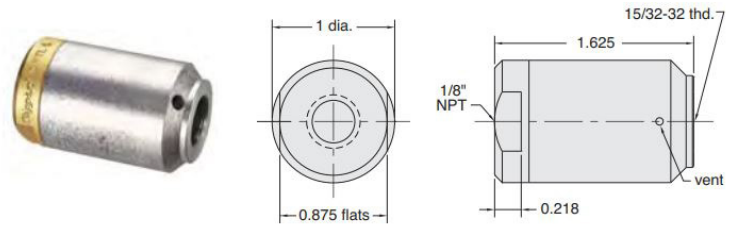
Bore Size: 0.375 (9.5)

Force Factor: 0.1



Bore Size: 0.625 (15.9)

Force Factor: 0.3



Bore Size: 0.875" (22.2) dia.

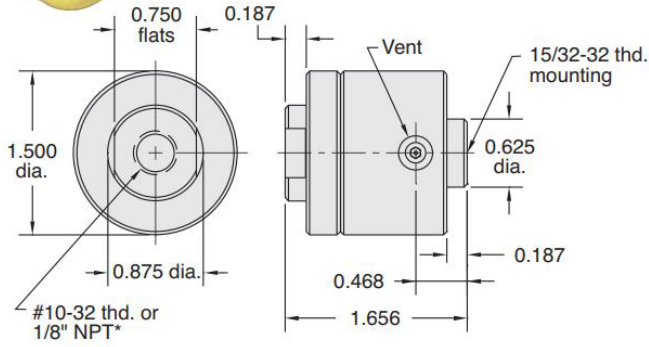
Force Factor: 0.6

Pilot Actuators

Vacuum Actuators



Single Acting Spring Return Pilot Actuator



Single Acting Spring Return Vacuum Actuator

